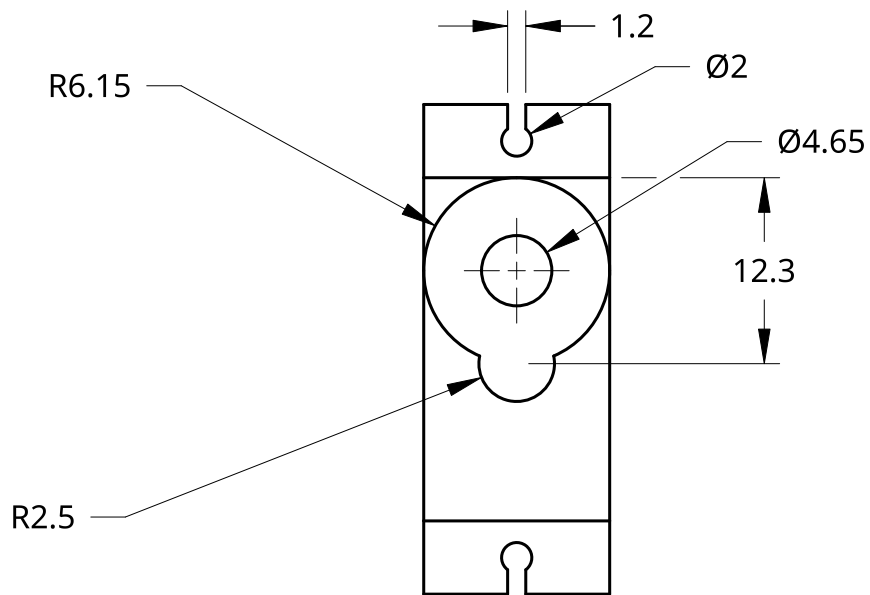


2

1

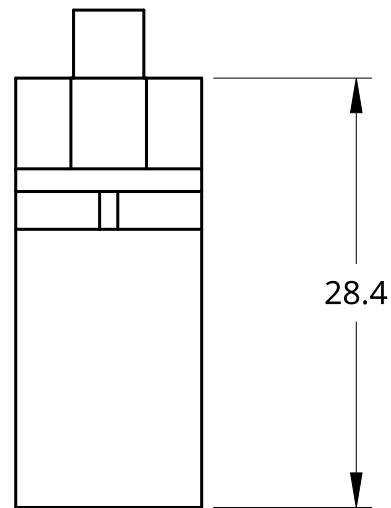
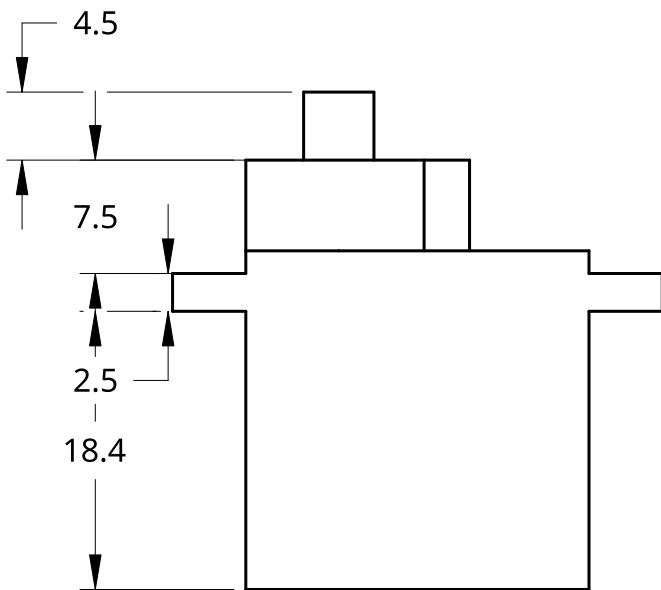
B

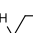

B



A

A



UNLESS OTHERWISE SPECIFIED, DIMENSIONS ARE IN MILLIMETERS ANGULAR = ± ° SURFACE FINISH  DO NOT SCALE DRAWING BREAK ALL SHARP EDGES AND REMOVE BURRS THIRD ANGLE PROJECTION 	DRAWN	NAME	DATE	TITLE <h3 style="text-align: center;">Servo Dimensions</h3>		
	CHECKED	PEYTON SLIND	01/17/2025			
	APPROVED					
	MATERIAL	FINISH	SIZE	DWG NO.	REV.	
			A			
			SCALE	WEIGHT	SHEET	
			2:1		1 of 1	

2

1